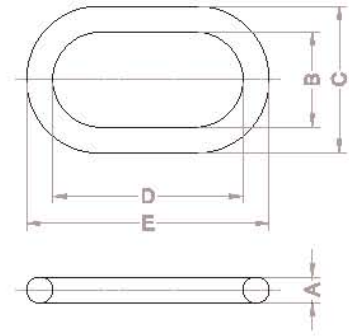


MASTER LINK

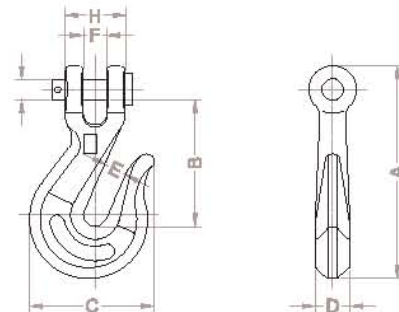


SPECIFICATION

Product Code	Size (Inch)	SWL (WLL) (ton)	Dimension(mm)					Weight (kg)
			A	B	C	D	E	
LKML-001	1/2	3.2	12.5	62	87	125	150	0.4
LKML-002	5/8	4	16	76	108	152	184	0.7
LKML-003	3/4	5.6	19	70	108	140	178	0.9
LKML-004	1	11	25	90	140	178	228	2.1
LKML-005	1-1/4	16.4	32	111	175	222	286	4.2
LKML-006	1-1/2	24.5	38	133	209	267	343	7.2

- **Material**_ Forged alloy steel
- **Test Load**_ Proof Load = SWL(WLL)×2, Breaking Load = SWL(WLL)×5
- **Surface**_ Painting
- **Reference**_ ASTM A 952, EN 1677-4
In case of Chain Sling, belong to Chain's SWL(WLL) application level.

ALLOY STEEL CLEVIS GRAB HOOK



SPECIFICATION

Product Code	Size (Inch)	SWL (WLL) (ton)	Dimension(mm)								Weight (kg)
			A	B	C	D	E	F	G	H	
HKGA-001	1/4	1.5	86	51	50	13	95	9.5	8	26	0.2
HKGA-002	5/16	2	99	59	57	16	11	11	9.5	28	0.3
HKGA-003	3/8	3.2	115	69	67	19	12.5	12.5	11	33	0.5
HKGA-004	1/2	5.4	143	84	87	24	16.5	16.5	14	42	1
HKGA-005	5/8	7.2	180	109	111	28	20	23	19	58	2

- **Material**_ Forged alloy steel
- **Test Load**_ Proof Load = SWL(WLL)×2.5, Breaking Load = SWL(WLL)×4
- **Surface**_ Painting
- **ET C**_ For Grade 80 or, 70 Chain Sling